

# Outward opening window

**with thermal break**

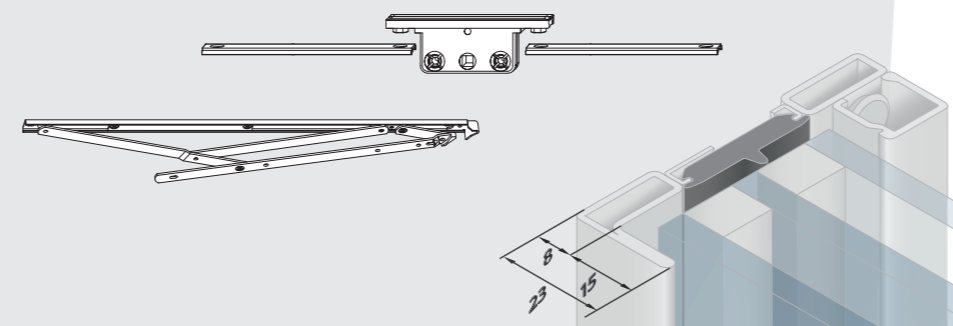
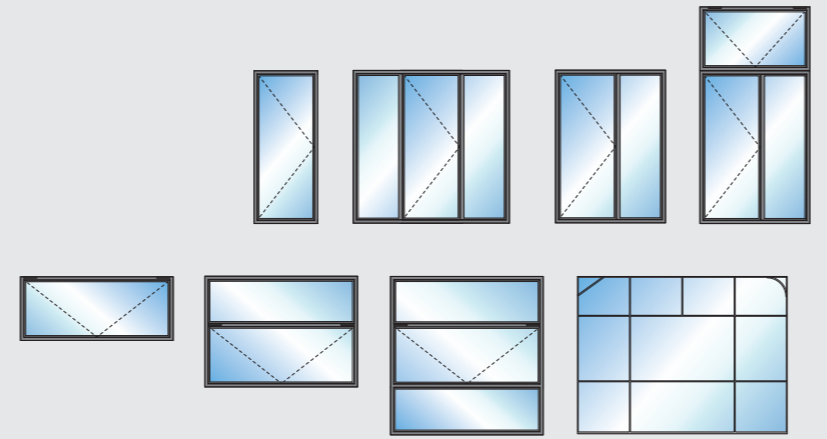
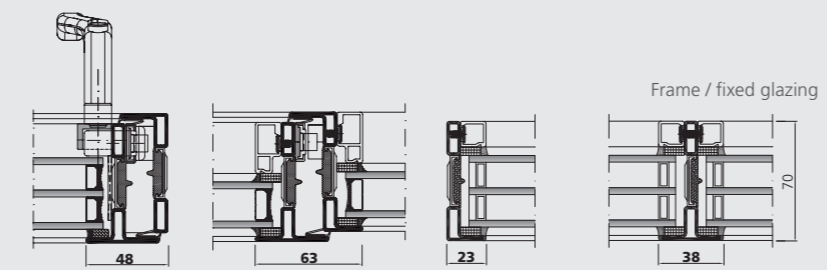
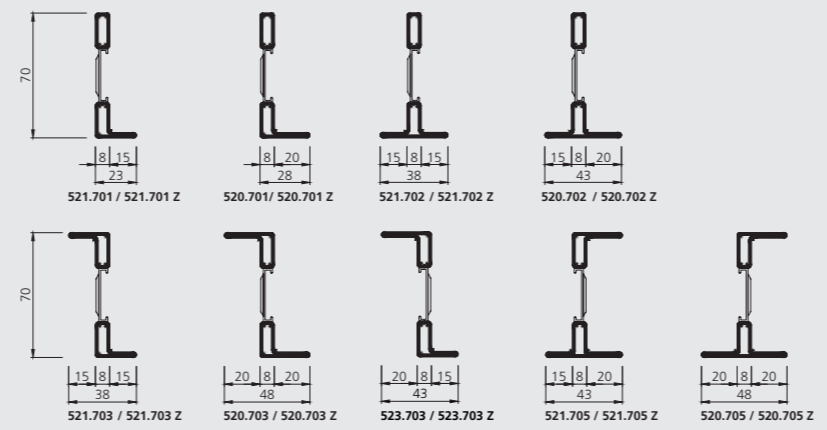
only 23 mm facing width

$U_{W}$  0.9 W/(m<sup>2</sup>·K) for windows

$U_{W}$  0.8 W/(m<sup>2</sup>·K) for glazings

100 % steel





## Only 48 mm vent sightline



**UNIQUE ULTRA-SLIM PROFILES.** Forster unico XS is a system addition that provides thermal insulated window elements and fixed glazing with ultra-slim facings. At the same time, it opens up a diversity of applications for both the heritage classic style of windows with glazing bars and the modern appearance with maximum visible glazing. This applies to the numerous opening variations as well as the possibility of installing fillings up to 60 mm to achieve very low U values and excellent sound insulation values.

The unique profile design made of 100% steel is ideally suited for renovating old or historic buildings and for modern glass constructions.

### Technical details

Material options	Bright steel and continuously galvanised steel
Face width	Single vent casements from 48 mm Fixed glazing from 23 mm
Dimensions	Overall dimensions 804 x 1,639 mm (WxH)
Fittings	Concealed fittings for outward opening top hung & side hung windows with max. leaf weight of 60 kg Standard friction scissor hinges combined with multipoint locking for both side & top hung vents. A choice of window handles with different finishes can be offered to suit the applications.
Performance specifications*	Thermal insulation: $U_w$ -value up to 0.9 W/(m <sup>2</sup> ·K), fixed glazing up to 0.8 W/(m <sup>2</sup> ·K) Enhanced tightness from three circumferential sealing layers Filling elements up to 60 mm (triple insulation glazing) All system applications comply with EN 14351-1 (CE-marking) Sound insulation values up to $R_w = 47$ dB Air permeability according to EN 12207: 1999-11: Class 4 Watertightness according to EN 12208: 1999-11: Class E1350 Resistance to wind load according to EN 12210: 1999-11/AC: 2002-08: Class C4 / B4
System properties	Stove enamelling or powder coating with no temperature restrictions Glazing beads in aluminium 15 – 50 mm and in steel 15 and 19 mm Wet glazing, stress-relieved and drained



PDF/03-17